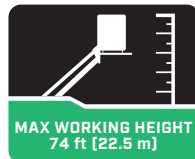




WASHER

WASH AND WORK ALL IN ONE.



SAFEAERO™ WASHER

Ensure comprehensive coverage and leave no area untouched while cleaning with continuous 360° rotation capability on the Safeaero™ Washer. The on-board blending system is designed to maintain the correct fluid mix and guarantee optimal cleaning results, regardless of contamination levels. With an operational measurement of 74 ft [22 m] tall and 45 ft [13 m] wide, the Safeaero Washer can accommodate a wide range of aircraft dimensions. Stay connected and proactive with the integrated wireless transfer system and remote diagnostic feature, enabling real-time monitoring and swift adjustments for peak performance. Experience the efficiency and reliability of the Safeaero Washer, your ultimate solution for pristine aircraft cleaning in the aviation industry.



CHASSIS POWER

Mercedes-Benz OM 934

EPA Tier / Certification Level	EURO VI
Type	Euro VI emission standard with Selective Catalytic Reduction (SCR), cooled and regulated exhaust gas recirculation and diesel particulate filters.
Fuel	Diesel
Displacement	5.1 L
Peak HP at Governed RPM	154 (115 kW) @ 2200 RPM
Torque	650 Nm (480 lb ft) @ 1200-1600 RPM

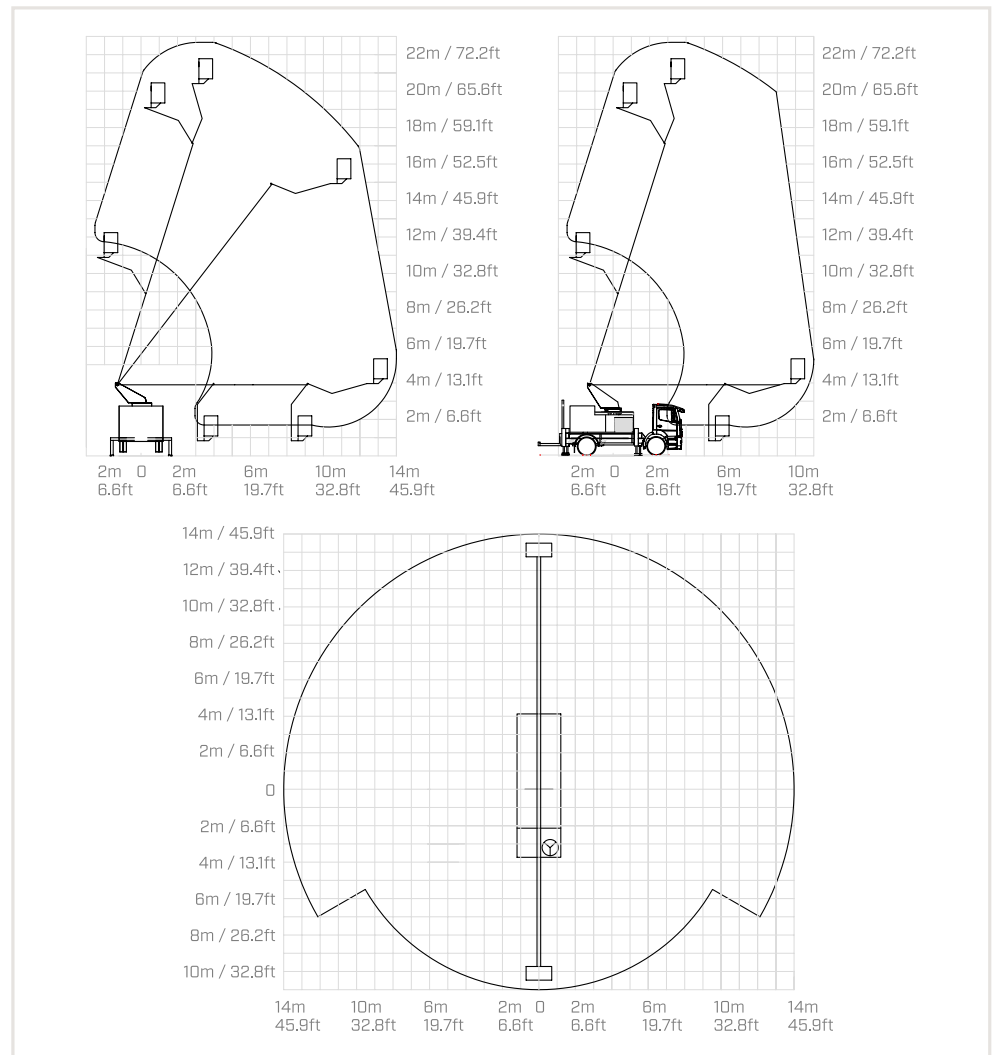
DIMENSIONS

Length	26.5' (8.1 m)
Width	8.2' (2.50 m)
Width (with Extended Outriggers)	11.2' (3.42 m)
Height	13.1' (3.99 m)
Boom Rotation	360° continuous
Weight (without Fluid)	32,000 lbs (14,500 kg)
Working Height	74.2' (22.6 m)
Wheelbase	12.8' (3.9 m)
Turning Radius - (Measured from Center Tread of Front Wheels)	51.8' (15.8 m)
Ground Clearance	9.6" (250 mm)
Basket Maximum Load Capacity	770 lbs (350 kg)

PERFORMANCE

Maximum Governed Speed (Boom Raised)	4 mph (6 km/h)
Driving Speed	50 mph (80 km/h)
Maximum Wind Speed Velocity	46 mph (20.6 m/sec)
Tank Capacity up to 1 or 2-Tank Version	1,320 gal (5,000 L)
CE Certified	Yes

WASHER DIAGRAM



Specifications are subject to change without notice. Models shown may include optional features.
© 2023 Textron Ground Support Equipment Inc. All rights reserved. 82740-62 [Rev. 0923]



TEXTRONGSE.COM